



BEEWRAP⁺

WRAP WITHOUT LIMITS

MOBILITY AND
FLEXIBILITY UNMATCHED



OVERVIEW

The BeeWrap+ brings excellence to mobile stretch wrapping. Designed to boost productivity while reducing consumable costs, this system integrates superior engineering with an emphasis on safety, reliability, and user-friendliness. It excels in handling heavy-weight items, unusual shapes, and large loads not compatible with traditional wrapping machines. Its small footprint is perfect for wrapping in areas where space is limited.

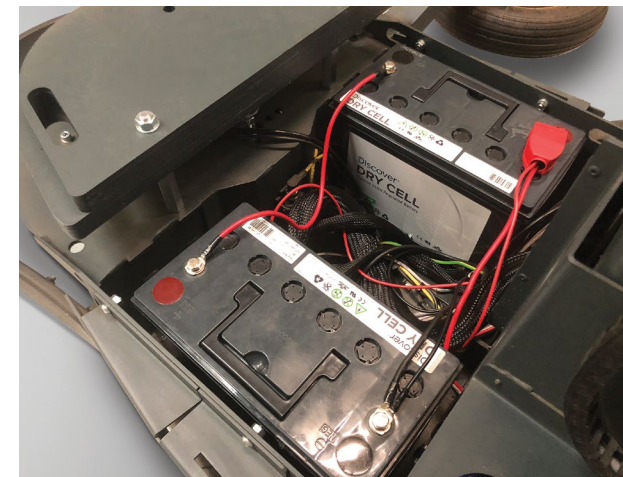
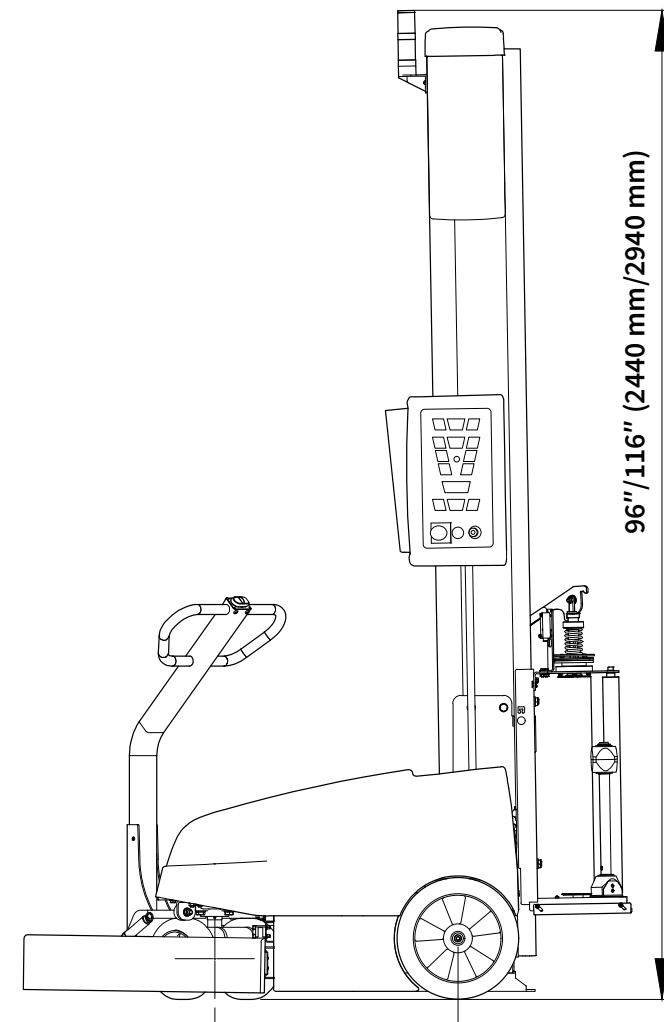
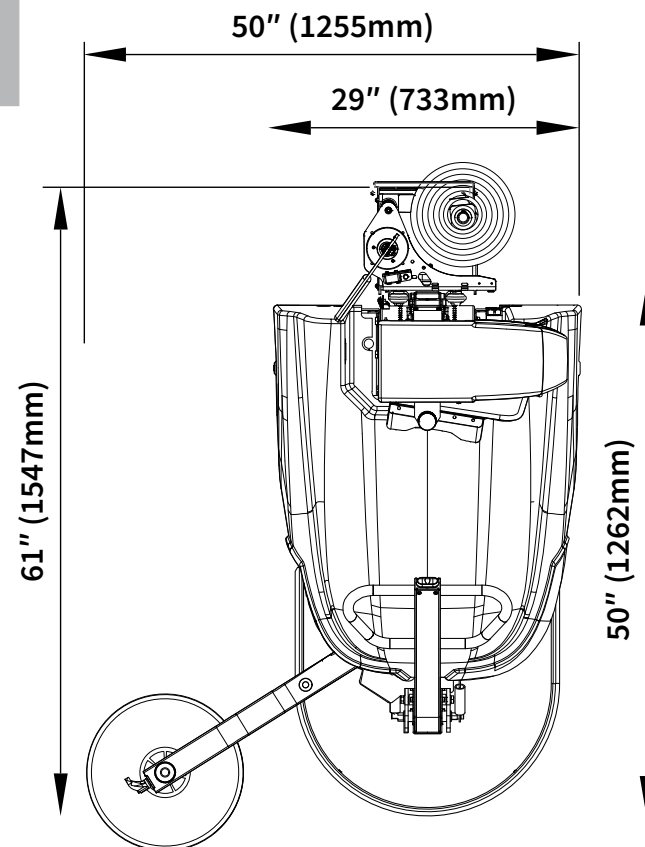
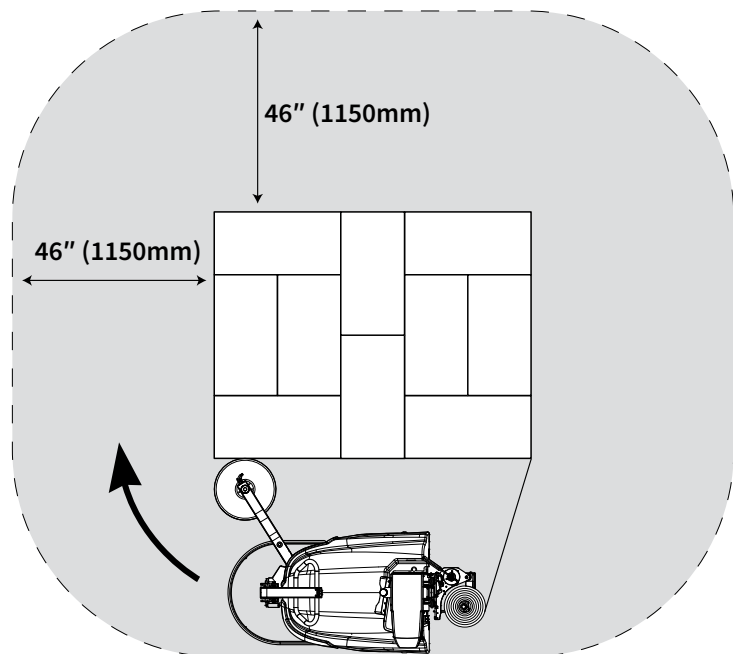
Enhanced with an intuitive digital control panel, the BeeWrap+ allows operators to easily modify job settings and craft customized wrapping cycle recipes tailored to specific needs. This level of customization ensures optimal performance and material usage across diverse packaging requirements.

Equipped with cutting-edge Absorbent Glass Mat (AGM) dry battery technology, the BeeWrap+ offers a maintenance-free solution that delivers up to 400 cycles per charge. These sealed batteries not only reduce upkeep but also enhance safety, being less susceptible to thermal runaway if damaged or mishandled compared to other options.

With Combi's comprehensive suite of high-quality case erecting, packing, sealing, palletizing, and wrapping systems, complemented by industry-leading technical and aftermarket support, we are your single source for integrated packaging automation.

FEATURES

- Safety first - ETL Listed to UL Standard 963 and CE compliant. Engineered and produced in Italy according to rigorous EU safety standards.
- Reliable - Durable frame and tire construction for long service life. Film carriage is belt driven and requires no maintenance. Two year standard warranty.
- Advanced battery technology - AGM batteries are safe, maintenance free, and not subject to transportation restrictions.
- Long battery life - Up to 250 cycles between charges with standard battery and up to 400 cycles with optional model.
- Economical - Standard powered pre-stretch (240%) maximizes film yield significantly lowering consumable costs.
- Energy efficient - Automatic shutdown of the machine after 10 minutes of inactivity.
- Flexible - Suitable for very large and round loads.
- Mobility - Machine is easily moved to facilitate decentralized wrapping.
- User-Friendly - Intuitive control panel and straightforward mechanical adjustments. Comes standard with automatic film cutting capability.
- Customizable - Available with two different column heights, battery capacity, and safety scanner with automatic stop/re-start capability.





BEEWRAP+ SPECIFICATIONS

SPECIFICATIONS	BeeWrap+
Film Core Size	3" (76 mm)
Film Roll Max Size	20" (500 mm) width x 10" (250 mm) OD
Film Thickness	Min: 65 ga (17 µm), Max: 90 ga (23 µm)
Rotational speed	1.8 -3.0 mph (50-80 m/min)
Operating Temperature	40 - 104 F (5 - 40 C)
Charging Requirements	100-240 volts
Max Pallet Height	83" (2100 mm) standard column model
	103" (2600 mm) high column model
Unit Weight	730 lbs (330 kg) standard column
	750 lbs (340 kg) high column



Indicator light and beeper. Scanner with stop/re-start function optional.

Ergonomic, intuitive and easy to use control panel.

Different column heights available.

Multiple wrapping modes; top sheet compatible.

Battery charge indicator.

Emergency button.

Handle for manual moving.

Adjustable height tracing wheel.