

MACHINE SPECIFICATIONS:

VOLTAGE: 120V/1PH/60HZ - 15AMPS \otimes
 NEMA RATING: 12
 AIR: 80PSI, 1/2" NPT \odot
 CONSTRUCTION: MILD STEEL
 PRODUCT: (xxx)
 CONTAINER: (xxx)
 CONTAINER SIZE/PACK PATTERN/BPM/CPM:
 -(xx)PK - (xx)L/OZ - (X)L x (X)W x (X)H - (xxx)BPM - (xx)CPM
 CASE: RSC
 CASE SIZES:
 -(xx)PK - (xx)L/OZ - (X)L" x (X)W" x (X)H"
 QUOTED SPEED: UP TO 20 CPM, 60 FPM

PROJECT DETAILS:

-(xx)
 -(xx)
 -(xx)
 -(xx)
 -(xx)

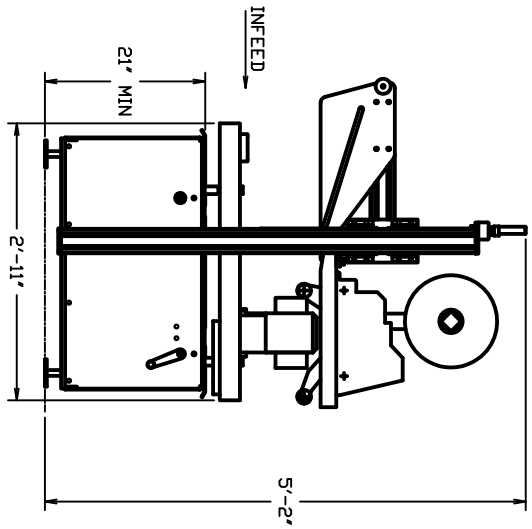
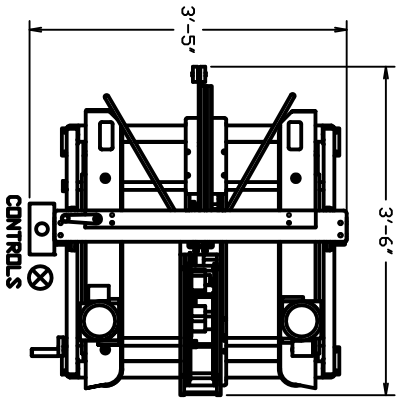
OPTIONS:

-(xx)
 -(xx)
 -(xx)
 -(xx)
 -(xx)

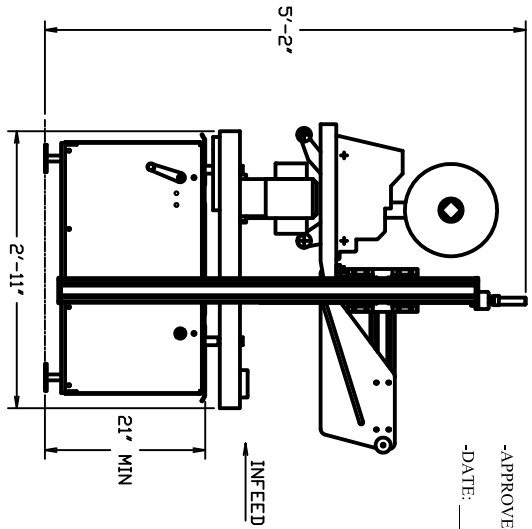
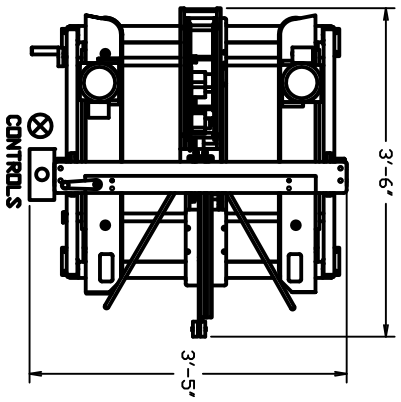
TO BE FILLED IN:

-PRODUCT INFEED ELEV: _____"
 (xx)" MIN-(xx)" MAX
 -CASE DISCHARGE ELEV: _____"
 (xx)" MIN-(xx)" MAX

RIGHT-HAND



LEFT-HAND



APPROVAL SIGNATURE:

-APPROVED BY: _____

-DATE: _____

REV.	DATE	DESCRIPTION
A	XXXXXX	XXX

APPROVAL SIGNATURE: _____
 -APPROVED BY: _____
 -DATE: _____

NOTE: THIS DRAWING IS NOT TO BE REPRODUCED OR COPIED WITHOUT CONSENT FROM COMBI PACKAGING SYSTEMS

SCALE	3/4" = 1'	MACHINE	TBS100 TOP & BOTTOM (RH/LH)	PART NUMBER	C-136	REVISION	
CHECKED	JSM	DATE	030206	DESCRIPTION	LAYOUT: COMBI STANDARD		

